

Product: FREESTANDING HIGH TABLES

H105 and H90 high tables with powder coated structure or in Luxury metal finish, available with various top finishes. They are arranged for wiring system with multi-socket columns. It is an ideal product for the sharing areas.

TECHNICAL FEATURES

Top: available in Melamine, Laminate, Lacquered, Veneer, Ceramic or back lacquered-etched glass.

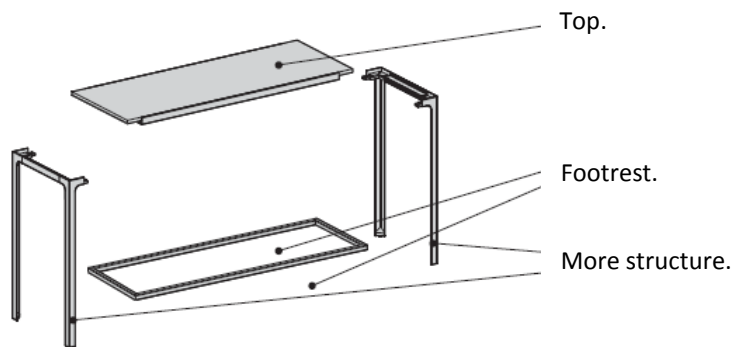
Structure: available in powder coated metal or Luxury metal.

Two versions are available:

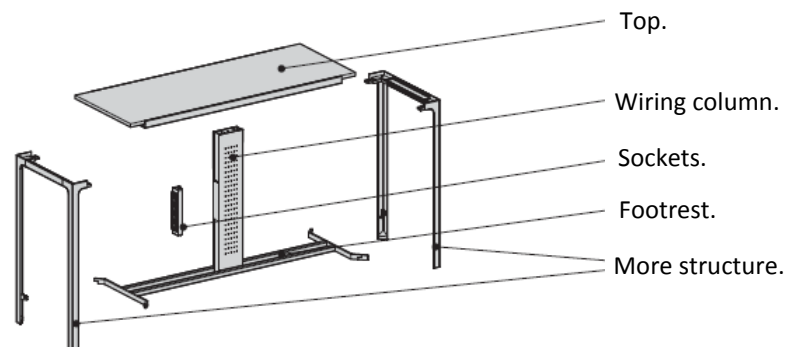
- without wiring column;
- with wiring column.



HIGH TABLE - without wiring column.



HIGH TABLE - with wiring column.



FINISHES

Top:

Melamine: UE White, Silver, Titanio, Delavè, Comfort, White Snow, Magnolia, Oak 2017, Eucalyptus, White Colour Fir.

Laminate: White Snow, Oak, White Fenix.

Sablè lacquered, available in different sample collection colours.

Veneer: Magnolia, White Colour Fir, Nuvola stained Oak, Natural Oak 2016, American Walnut, Eucalyptus, Wengè, Zebrano Brown, Ebano.

Ceramic: Calacatta Soft, Calacatta Glossy, Statuario Soft, Statuario Glossy, Walks 1.0 White, Walks 1.0 Gray, Le Roche Ecrù, Ardoise Ecrù, Ardoise Noir, Nero Marquinia, Le Roche Grey, Industrial Ivory, Industrial Plomb.

Back lacquered-etched glass: White, Silver, Titanio, Brown, Alfa Red.

Structure:

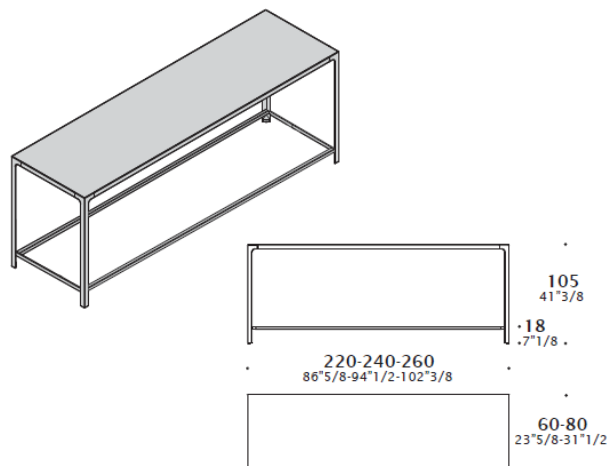
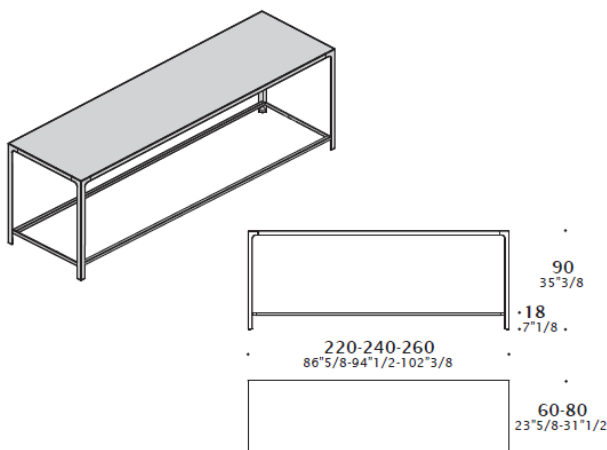
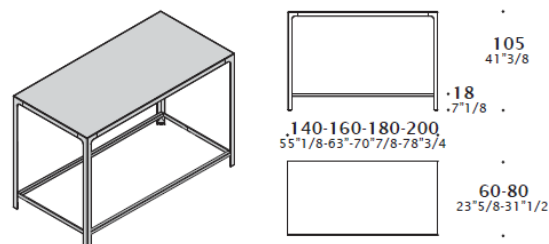
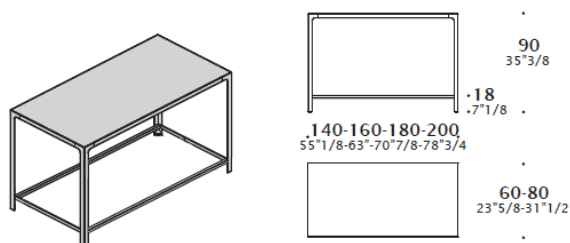
Powder coated metal: glossy or matt White Snow, glossy UE White, glossy Silver, matt Titanio, matt Green Black, matt Brown, matt Carbon Glacè, glossy Alfa Red.

Luxury metal: Chromed, glossy Nickel Black, matt Bronze, matt Brass, matt Antique Brass, Pewter Quarz, Brunished Cobalt.



DIMENSIONS - High table without wiring column.

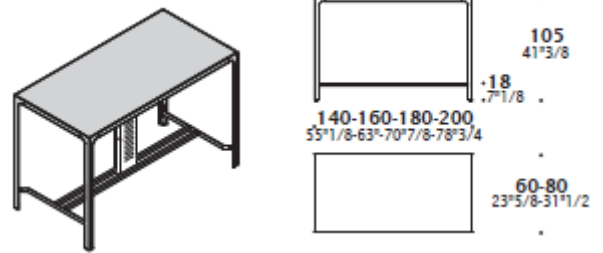
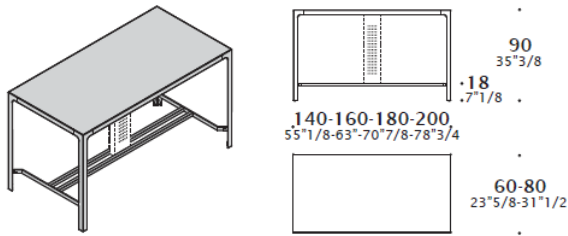
All depth-width combinations are available.



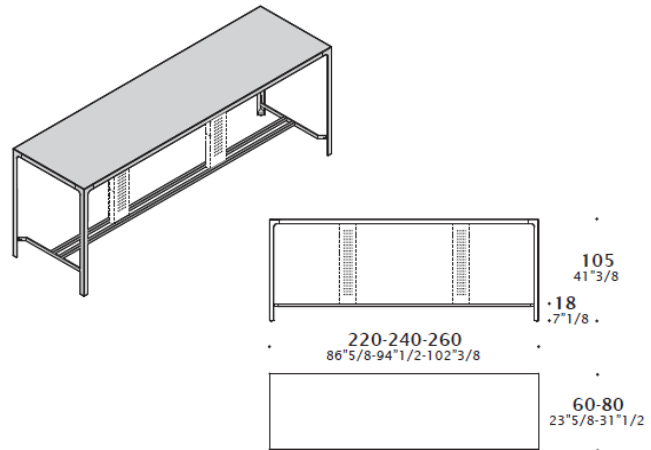
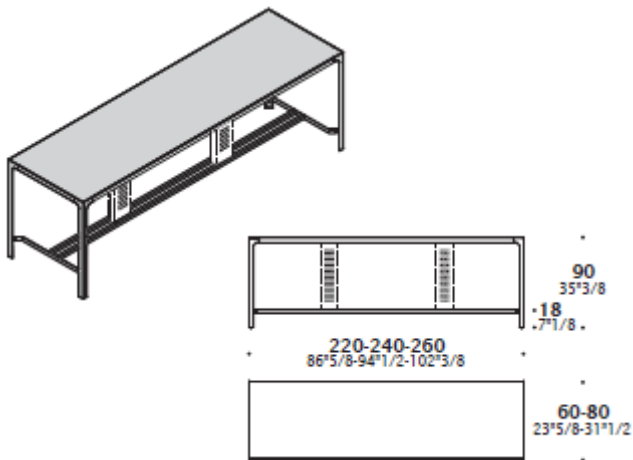


DIMENSIONS - High table with wiring column.

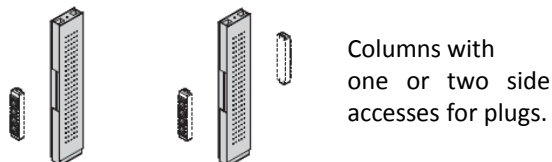
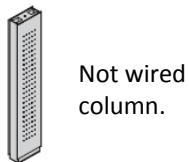
All depth-width combinations are available.



High tables with two wiring columns.



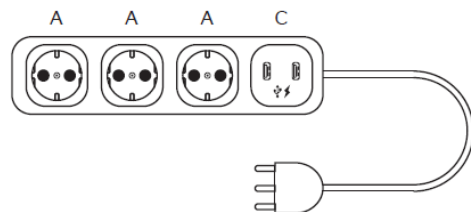
ELECTRIFICATION ACCESSORIES



Sockets

A - Schuko - UE socket

C - n° 2 USB charger socket 5V



Sockets can be positioned on both sides of the column.
On demand we can also supply international sockets different from standard device.